

12VOLT

John Deere GROUND LOADER

cod. IGOR0068



JOHN DEERE
LICENSED PRODUCT

Peg-Pérego

made in italy

USO E MANUTENZIONE **IT**

USE AND CARE **EN**

UTILISATION ET ENTRETIEN **FR**

GEBRAUCH UND WARTUNG **DE**

EMPLEO Y MANUTENCION **ES**

USO E MANUTENÇÃO **PT**

UPORABA IN VZDRŽEVANJE **SL**

BRUGSANVISNING **DA**

KÄYTTÖOHJE **FI**

BRUKSANVISNING **NO**

BRUKSANVISNING **SV**

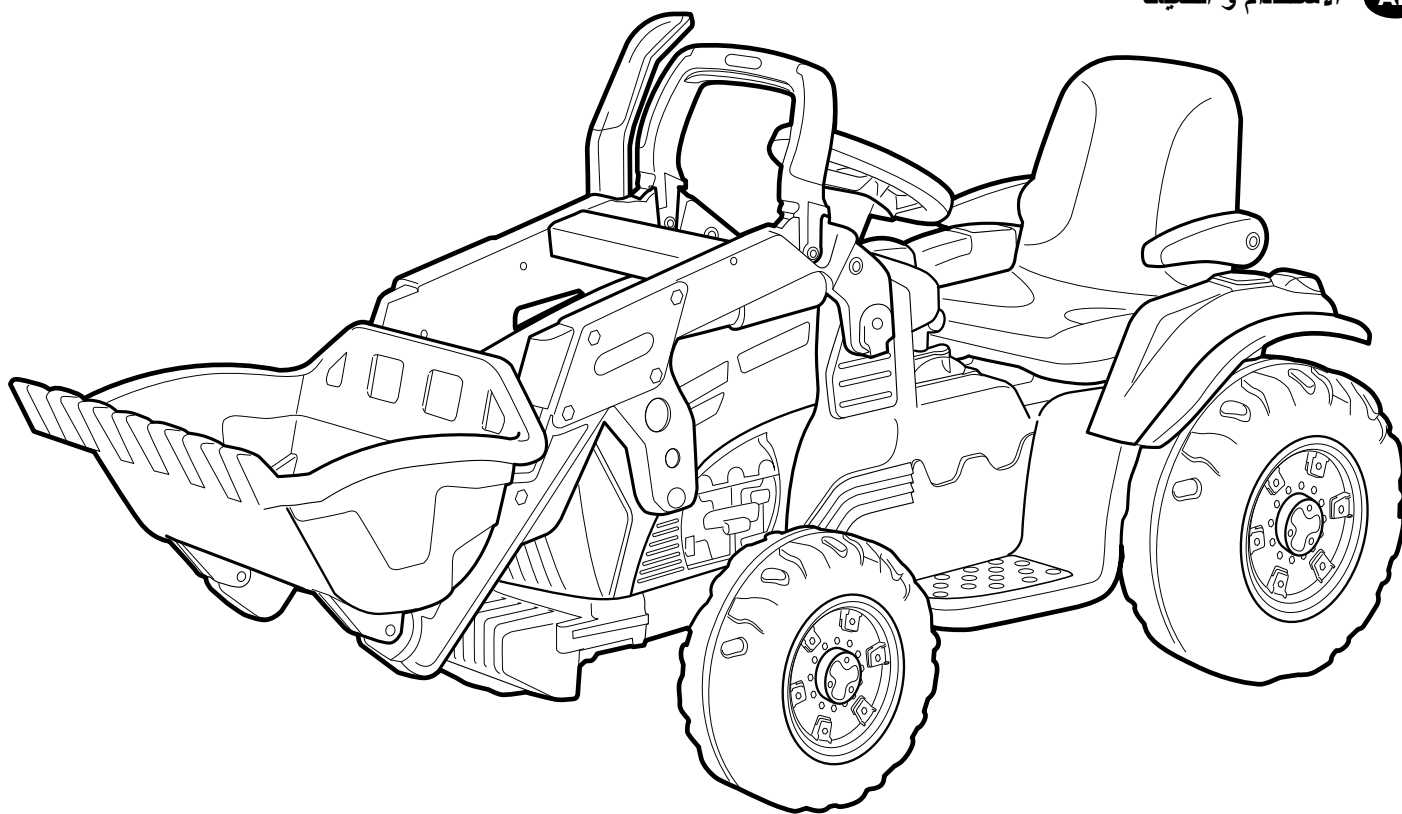
GEBRUIK EN ONDERHOUD **NL**

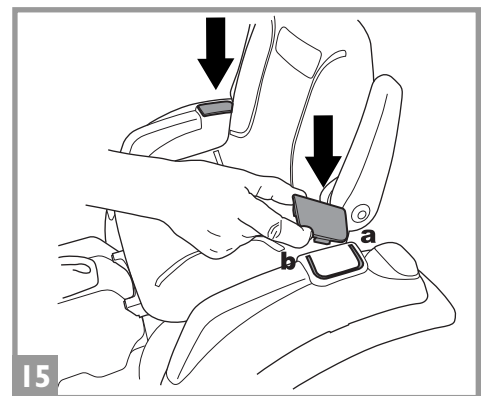
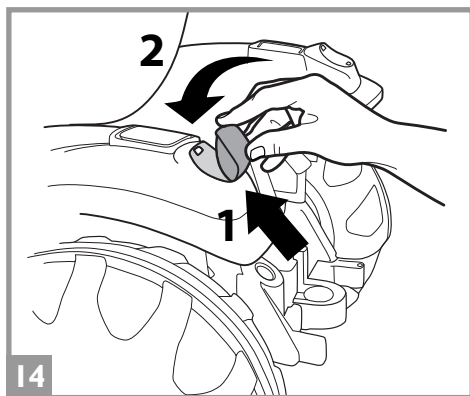
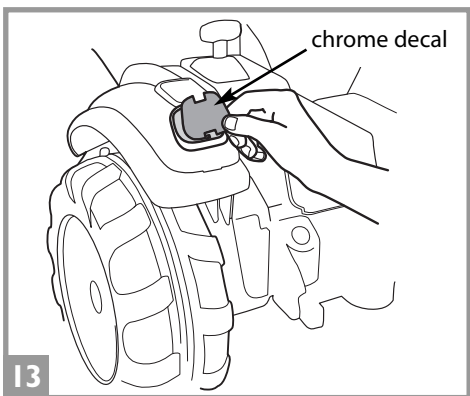
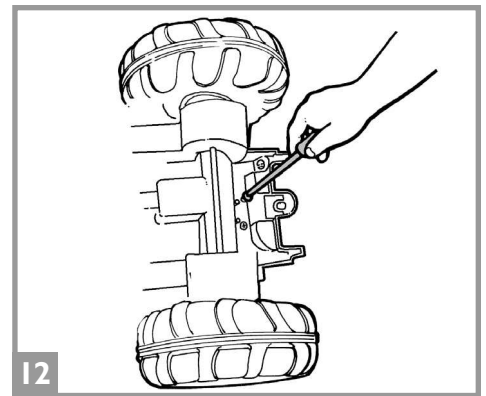
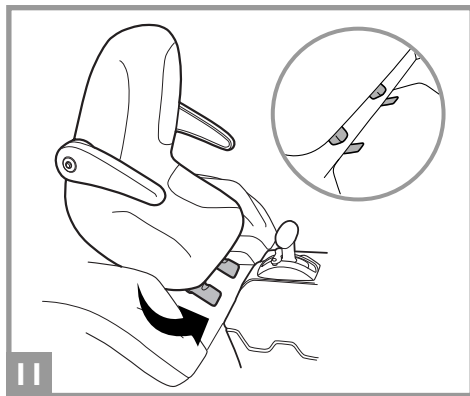
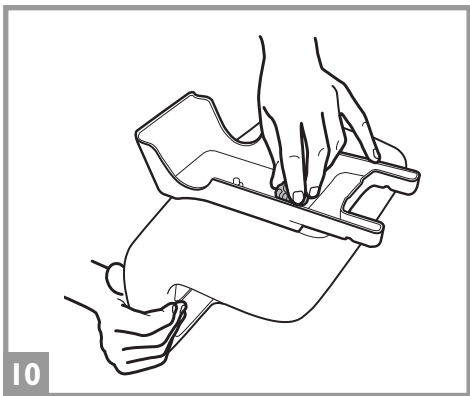
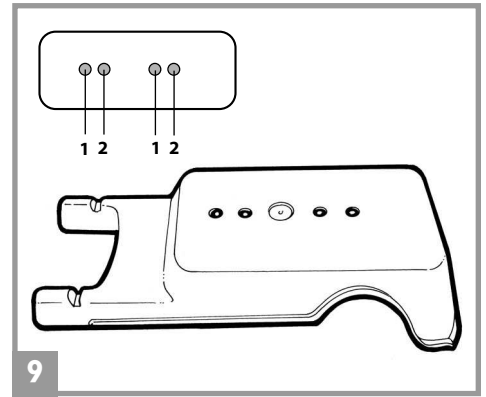
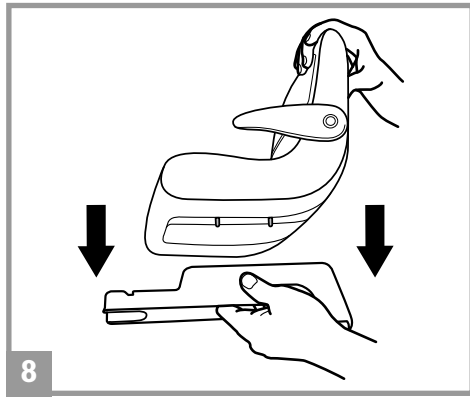
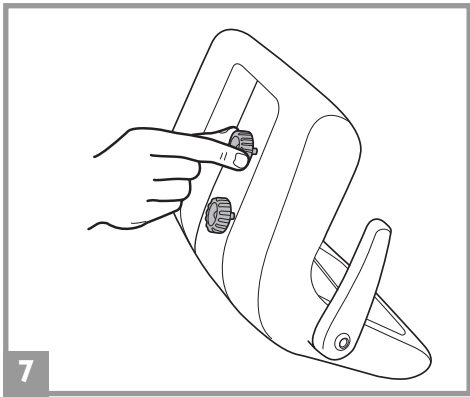
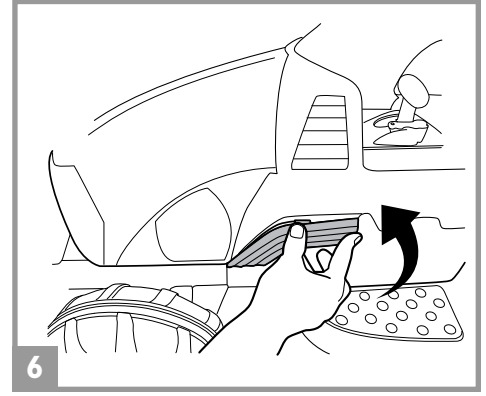
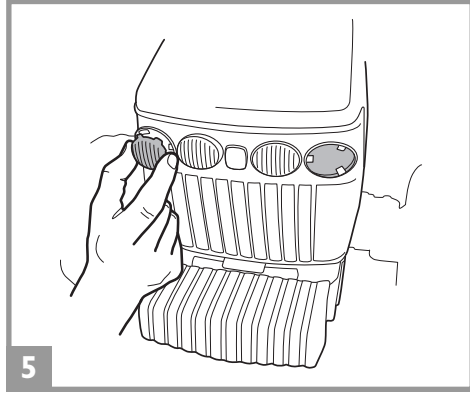
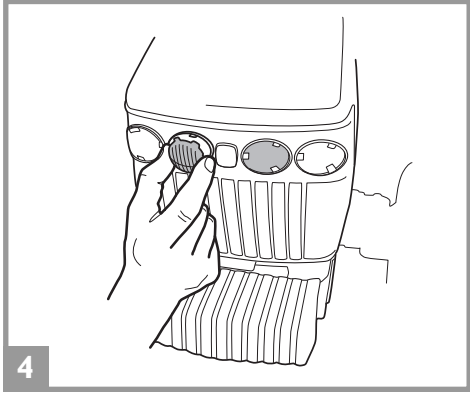
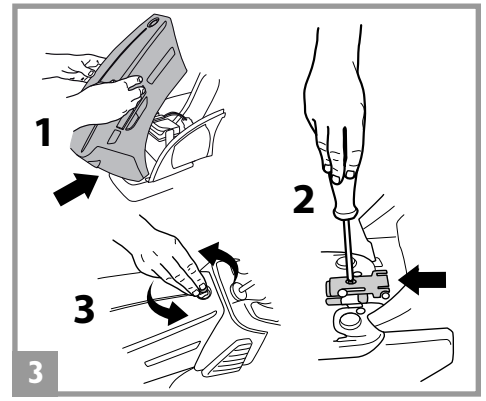
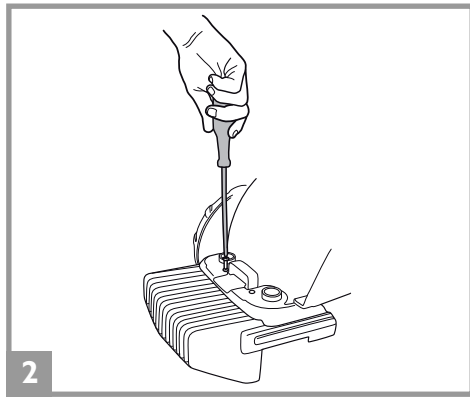
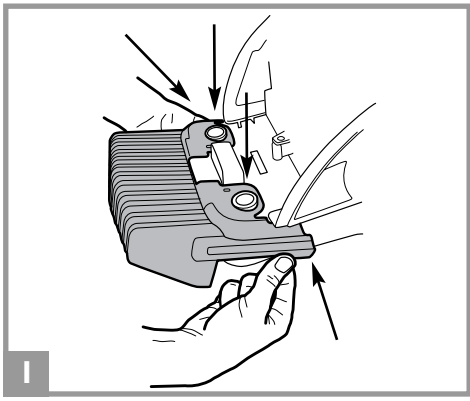
KULLANIM VE BAKIM **TR**

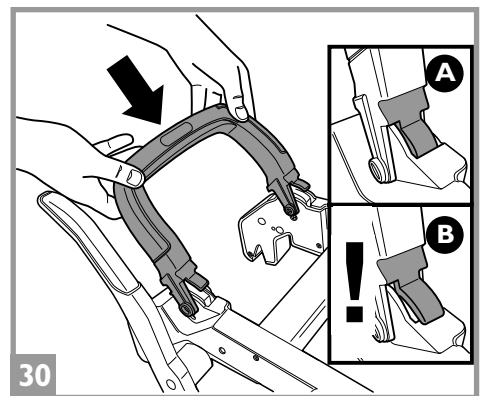
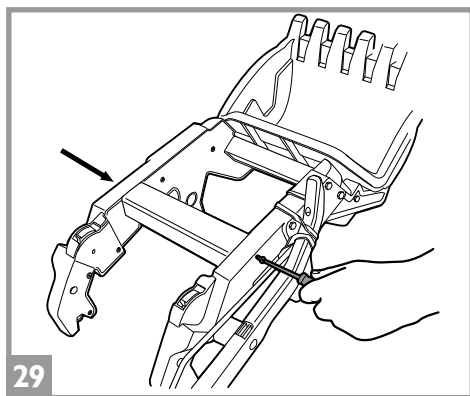
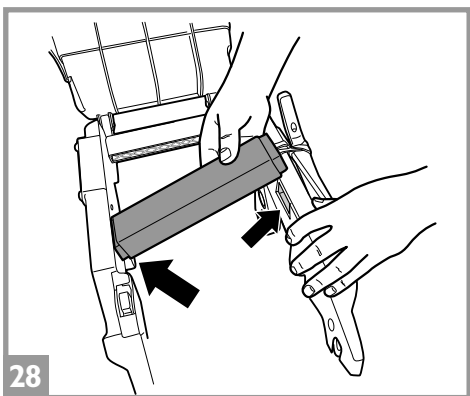
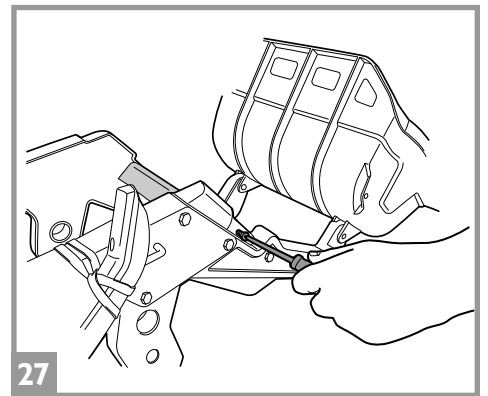
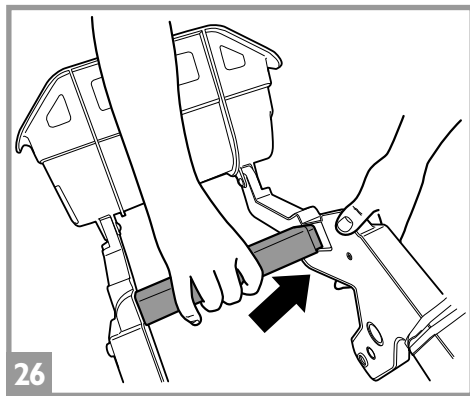
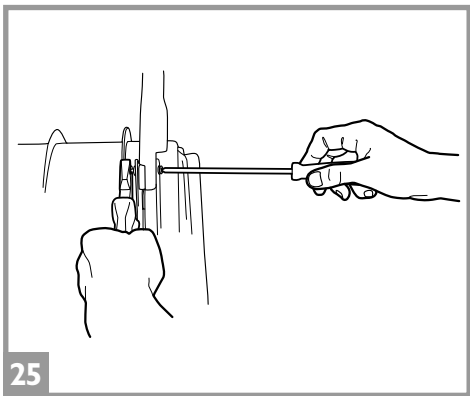
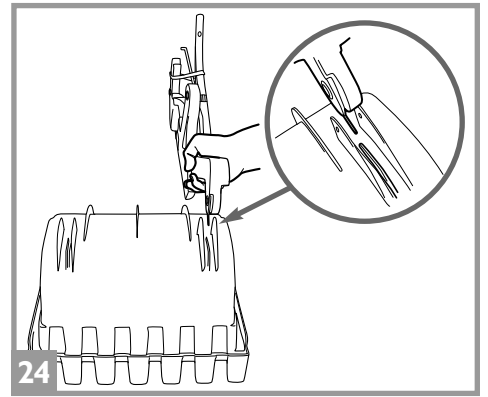
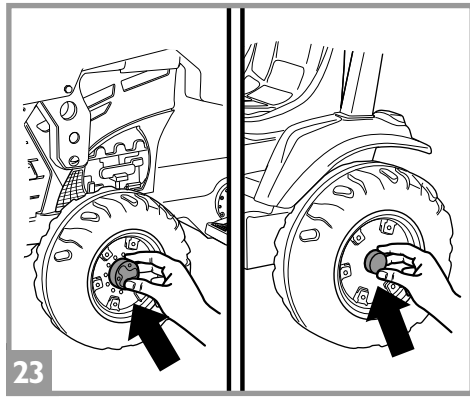
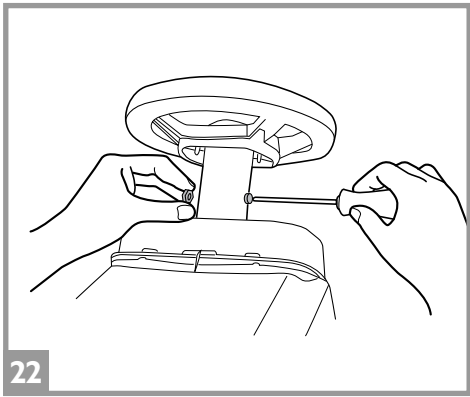
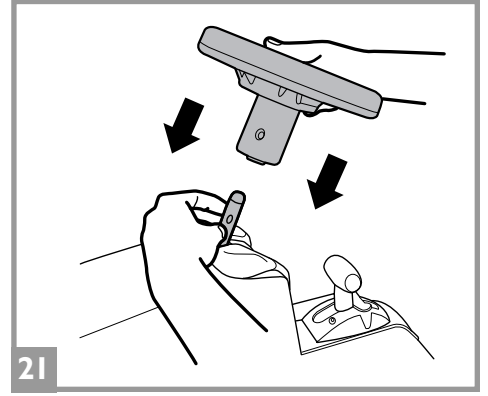
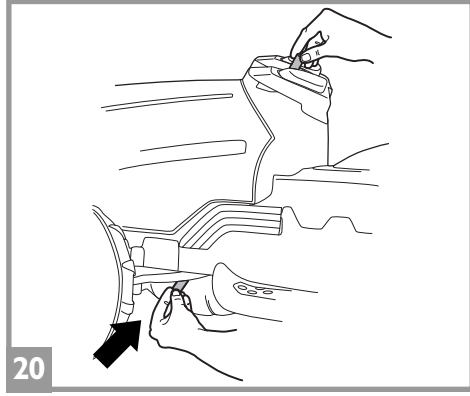
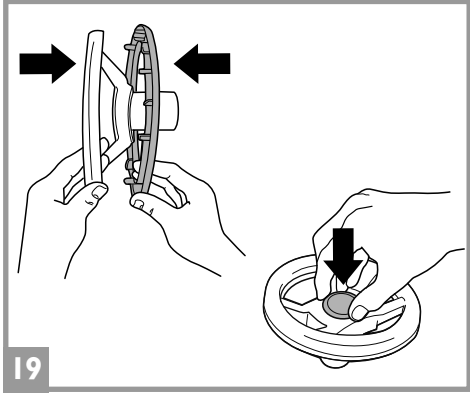
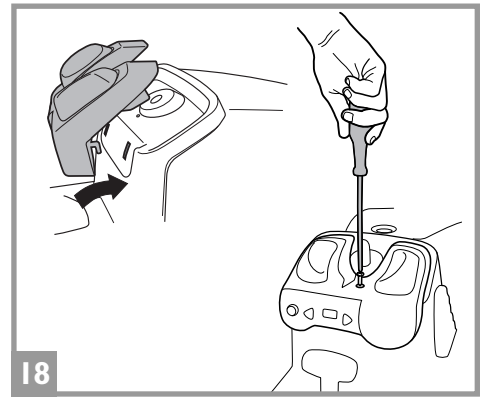
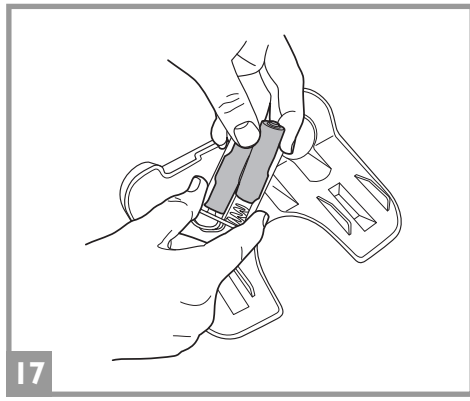
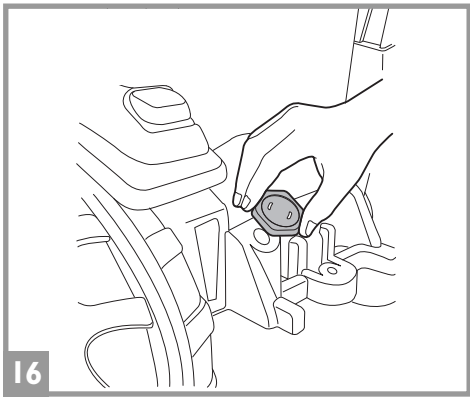
ЭКСПЛУАТАЦИЯ И УХОД **RU**

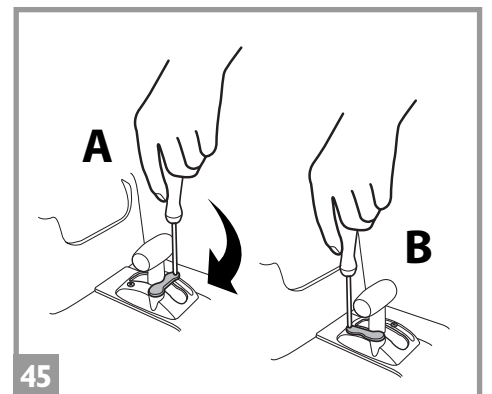
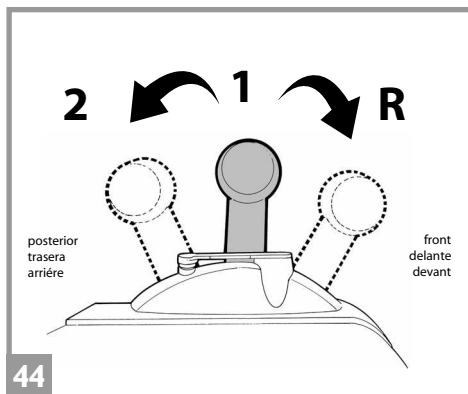
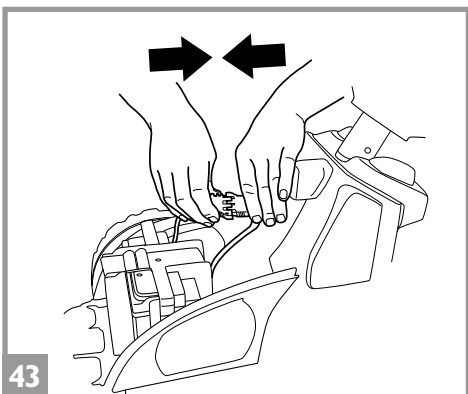
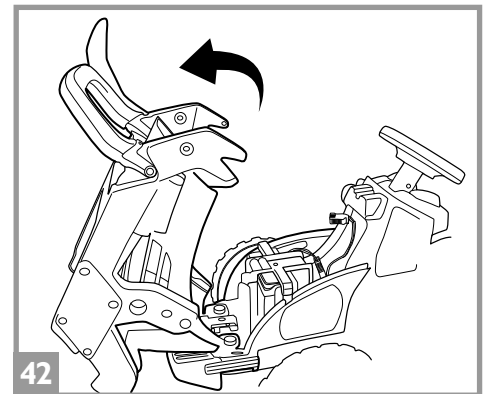
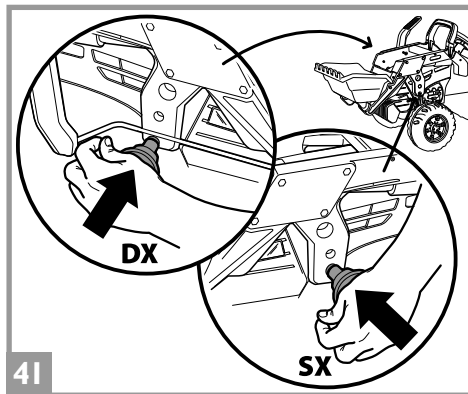
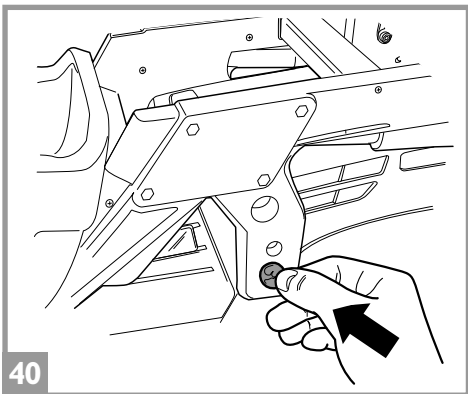
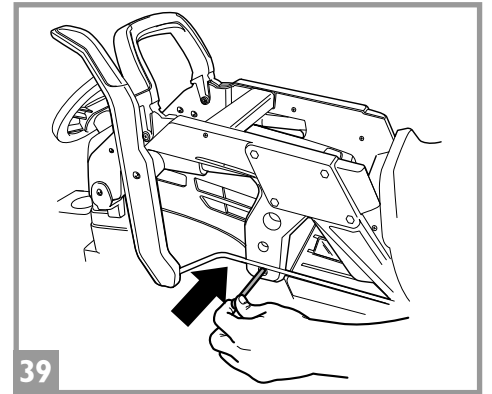
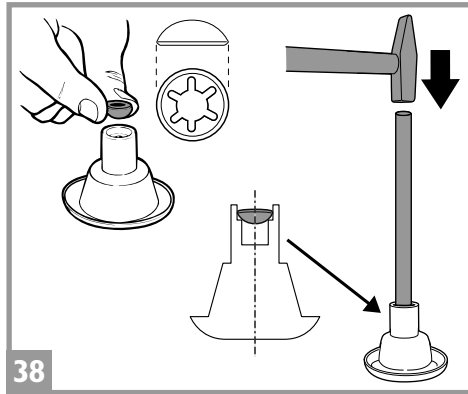
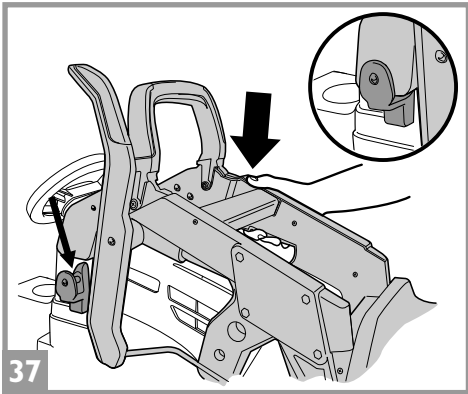
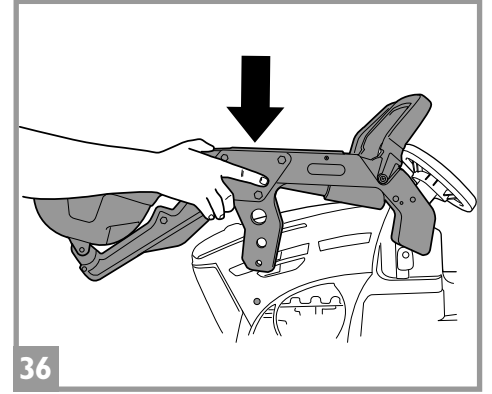
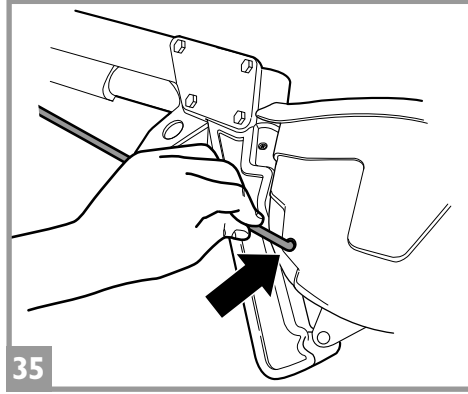
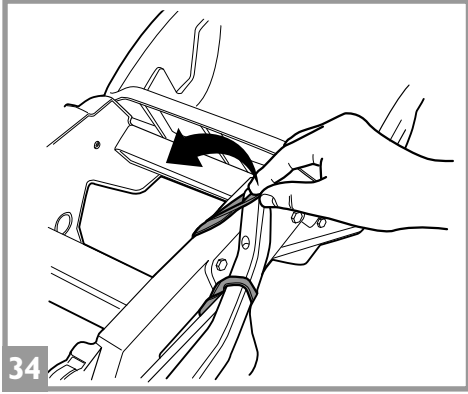
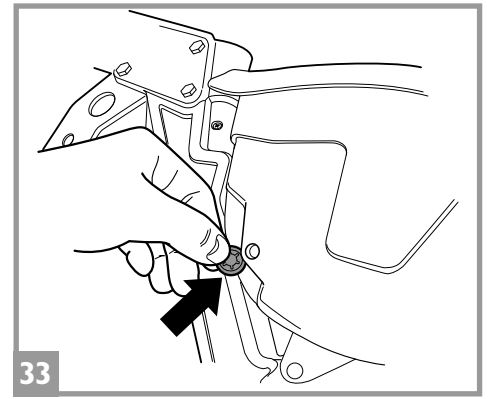
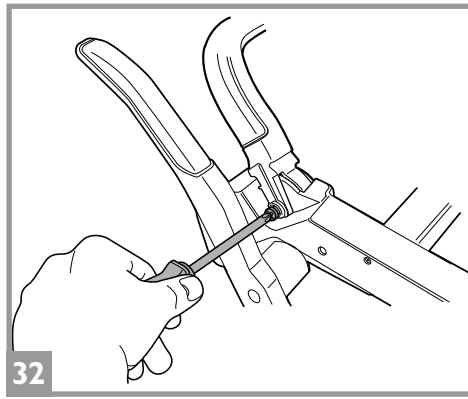
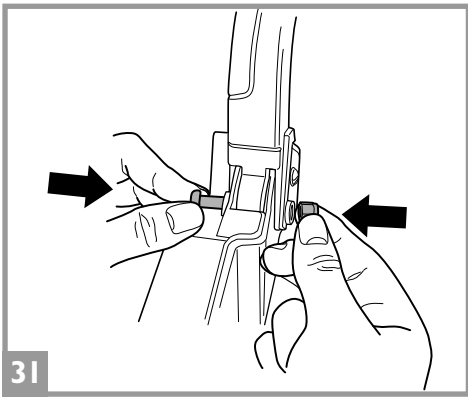
ΧΡΗΣΗ ΚΑΙ ΣΥΝΤΗΡΗΣΗ **EL**

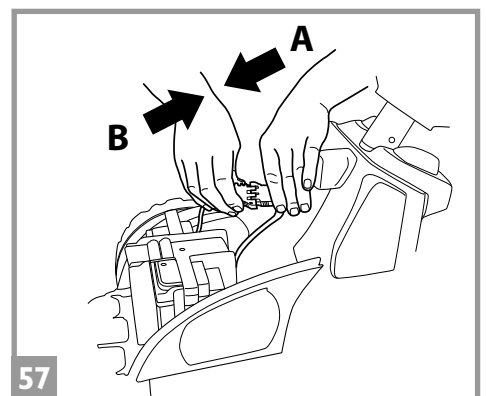
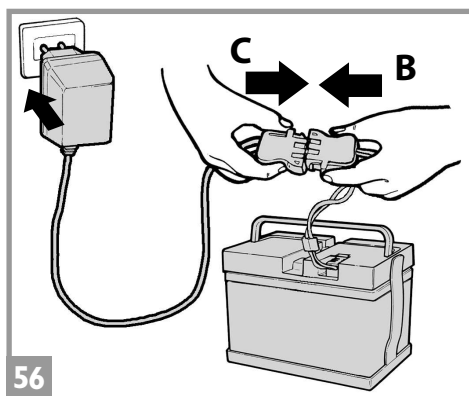
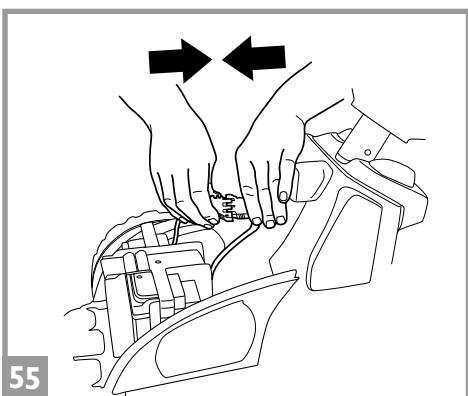
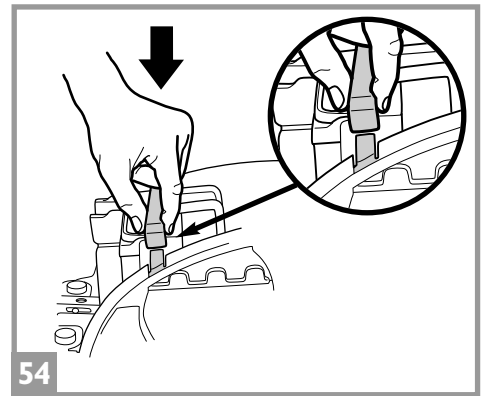
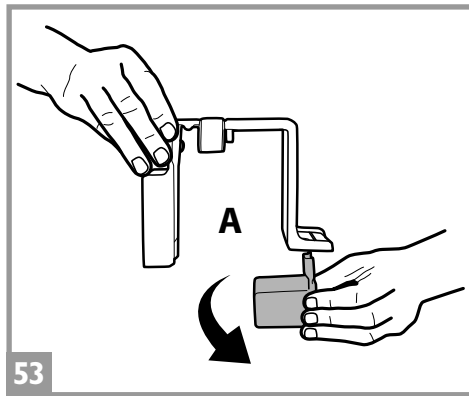
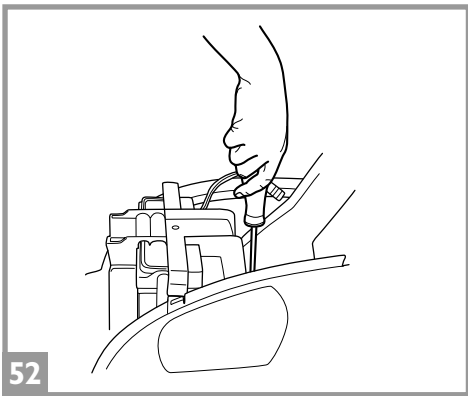
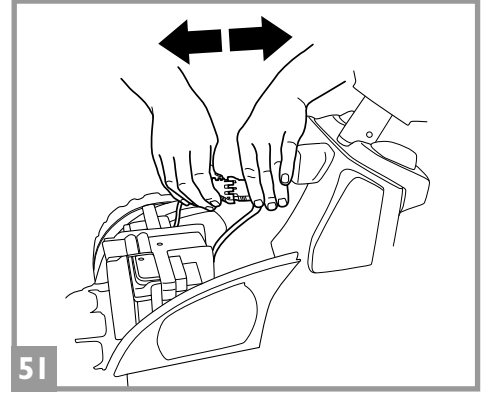
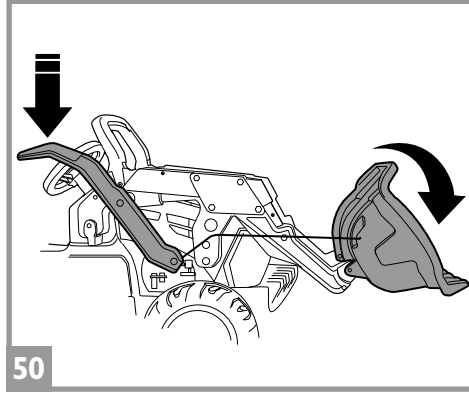
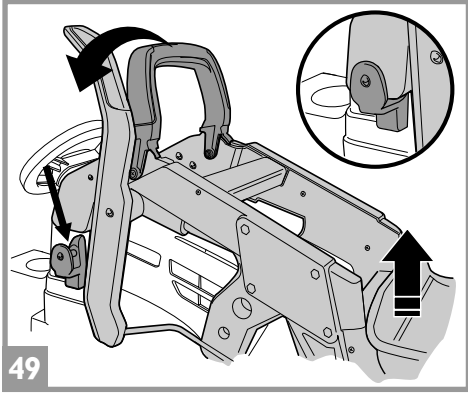
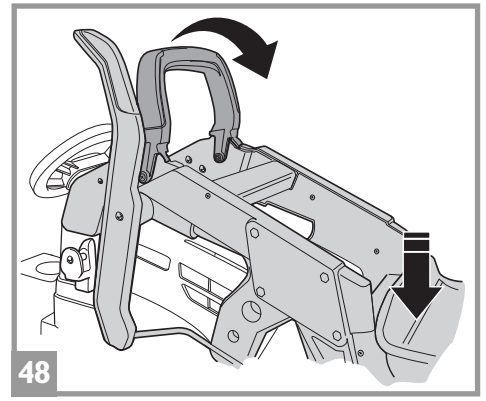
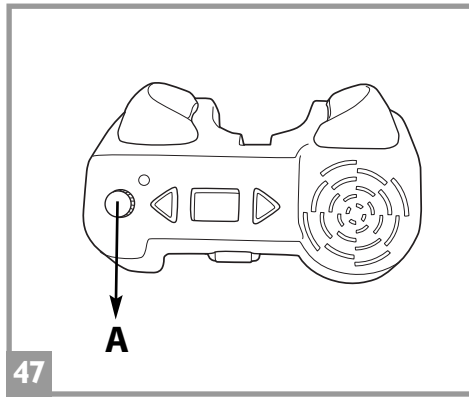
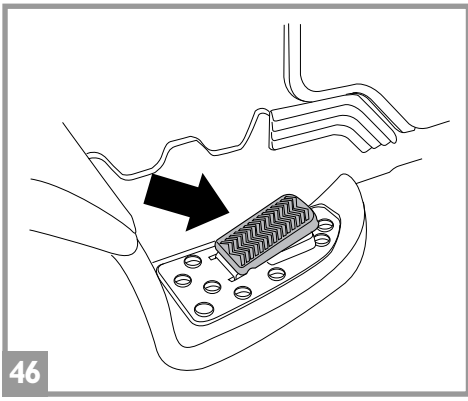
الاستخدام و الصيانة **AR**



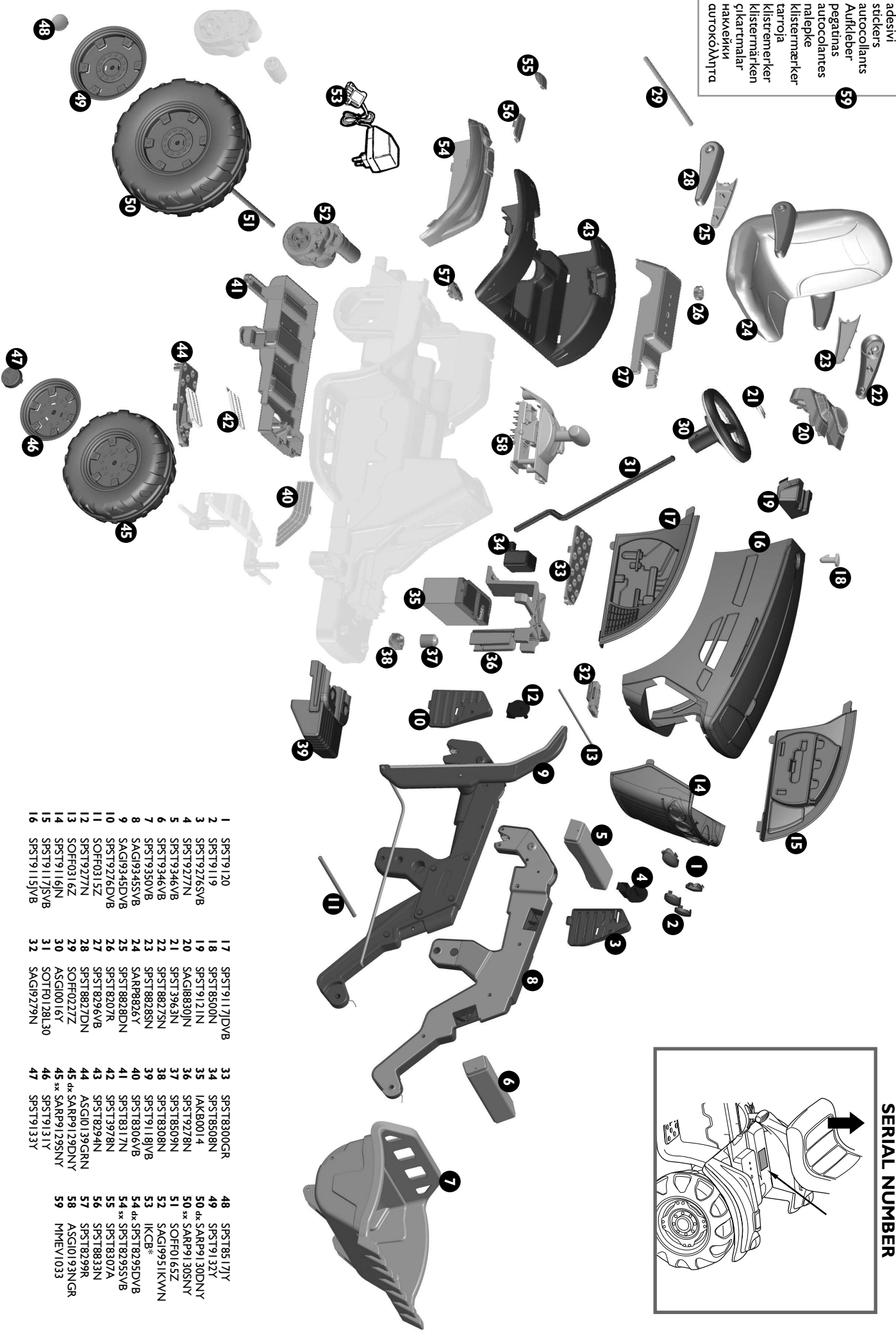








adesivi
stickers
autocolliants
Aufkleber
pegatinas
autocolantes
nalepke
klistermærker
tarroja
klistermærker
klistermærker
klistermärken
cikartnalar
Hakveijki
аутоколлаґта



- | | | | | | | | |
|----|--------------|----|--------------|-------|-------------|-------|-------------|
| 1 | SPST9120 | 17 | SPST9117/DVB | 33 | SPST8300GR | 48 | SPST8517/Y |
| 2 | SPST9119 | 18 | SPST8500N | 34 | SPST9132Y | 49 | SPST9132Y |
| 3 | SPST9276SVB | 19 | SPST9121/N | 35 | LAKB0014 | 50 dk | SARP9130DNY |
| 4 | SPS19277N | 20 | SAGI8830JN | 36 | SPS19278N | 50 dk | SARP9130SNT |
| 5 | SPST9346VB | 21 | SPST9363N | 37 | SPST8509N | 51 | SOFFD165Z |
| 6 | SPST9346VB | 22 | SPST8827SN | 38 | SPST8308N | 52 | SAGI9951KWN |
| 7 | SPST9350VB | 23 | SPST8828SN | 39 | SPST9118/YB | 53 | IKCB* |
| 8 | SAGI9345SVB | 24 | SARP8826Y | 40 | SPS18306VB | 54 dk | SPST8295DVB |
| 9 | SAGI9345DVB | 25 | SPST8828DN | 41 | SPST8317N | 54 dk | SPST8295SVB |
| 10 | SPST9276DVB | 26 | SPST8207R | 42 | SPST3978N | 55 | SPST8307A |
| 11 | SOFFO315Z | 27 | SPST8296VB | 43 | SPST8294N | 56 | SPST8833N |
| 12 | SPS19277N | 28 | SPST8827DN | 44 | ASGI0139GRN | 57 | SPST8299R |
| 13 | SOFFO316Z | 29 | SOFFO227Z | 45 dk | SARP9129DNY | 58 | ASGI0193NGR |
| 14 | SPST9116/N | 30 | ASGI0016Y | 45 xx | SARP9129SNT | 59 | MMEV1033 |
| 15 | SPST9117/SVB | 31 | SOTR0128/L30 | 46 | SPST9131Y | | |
| 16 | SPST9115/YB | 32 | SAGI9279N | 47 | SPS19133Y | | |

